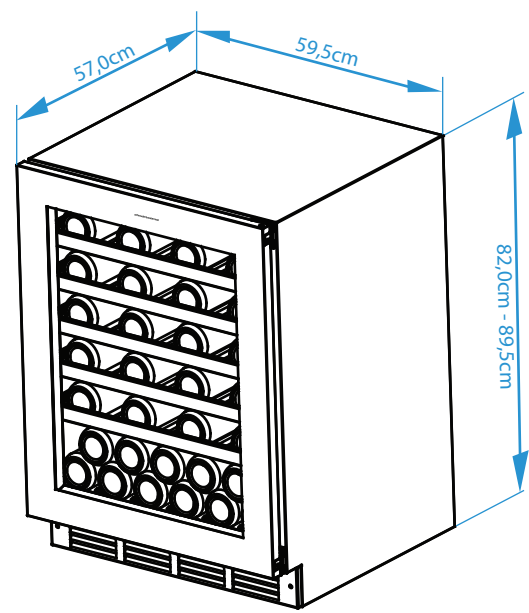
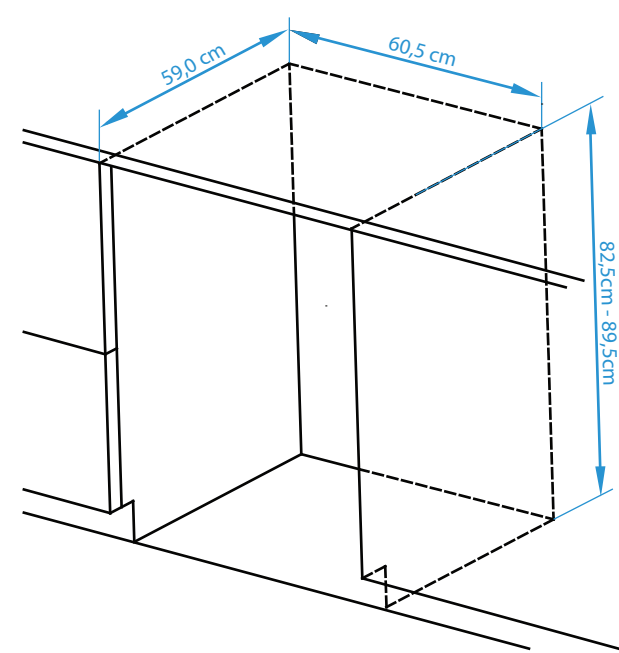


s&w **Chateaudun Uno**  
SW46A



s&w **Chateaudun Duo**  
SW46BT



s&w **Esclimont Duo**  
SW46-2D

