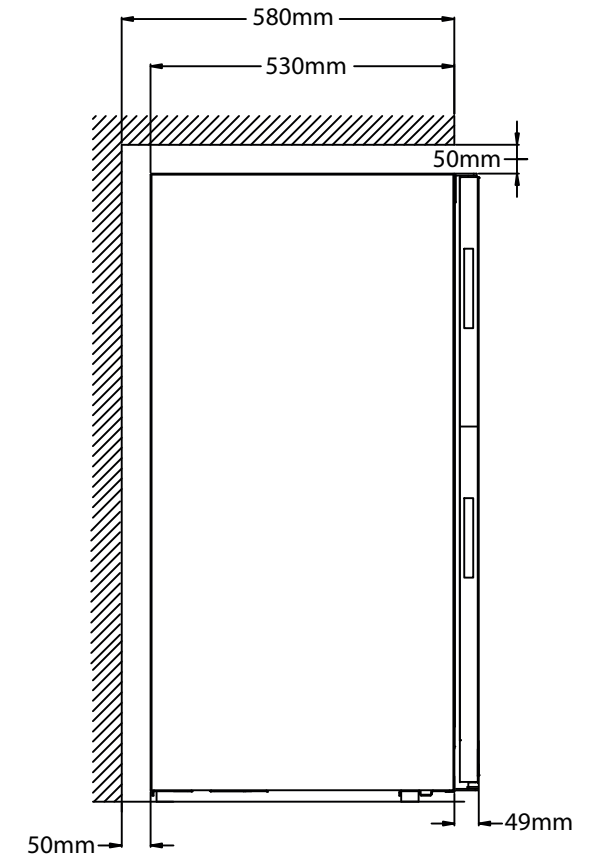
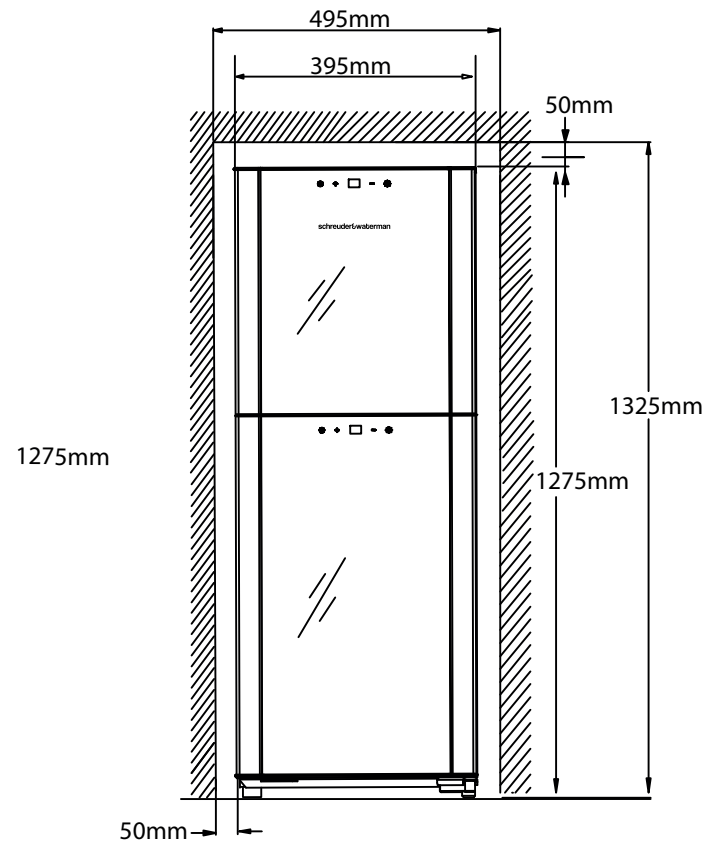
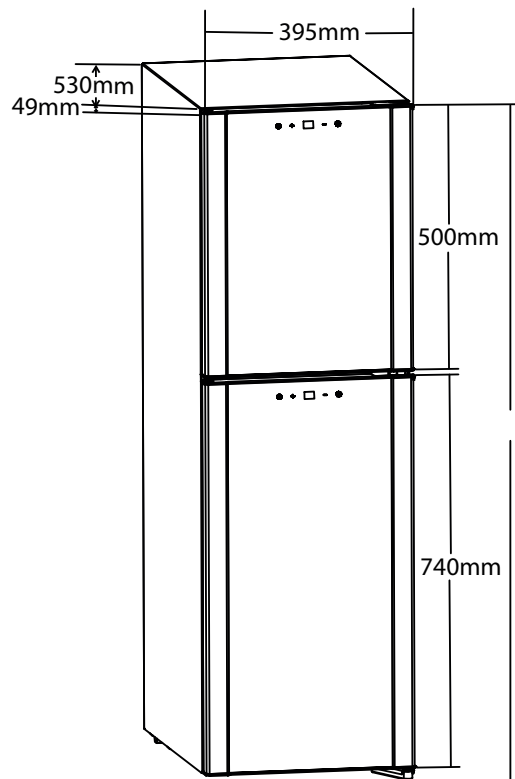


s&w **Clermont Duo**



This model is designed for free-standing installation. Built-in installation is possible if the wine cooler has at least 5cm space on each side (like the above drawing). The air should be able to move freely in the space around the wine cooler.